

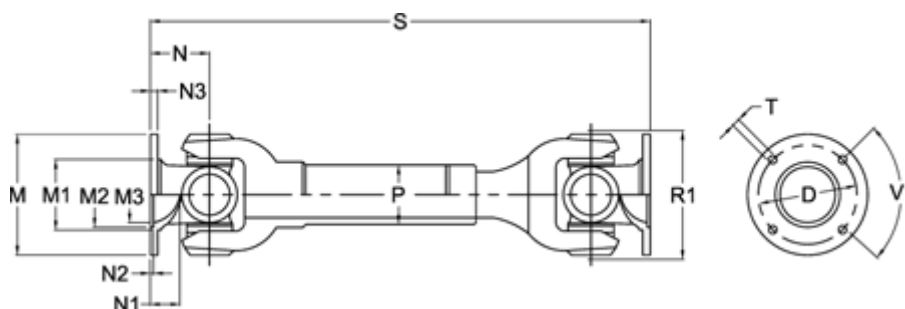
Data Sheet



Article number: 071051410195025

Description: Cardan drive shaft 0.105.141.001
S=195 X=25 Bore with keyway

Measures



D	= 52 +-0,1	N1	= 12	T	= 6 B12
Extension X	= 25	N2	= 1,7 +0,3	V1 degrees	= 90
Flange diameter M	= 65	N3	= 4		
M1	= 38	Number og Flangeholes	= 4		
M2	= 35	P	= 28x1,5		
M3	= 28	R1	= 52		
Max. Bending Angle degrees	= 25	S min	= 195		
N	= 30	Spline dim. DIN 5480	= 20x1,5x12		